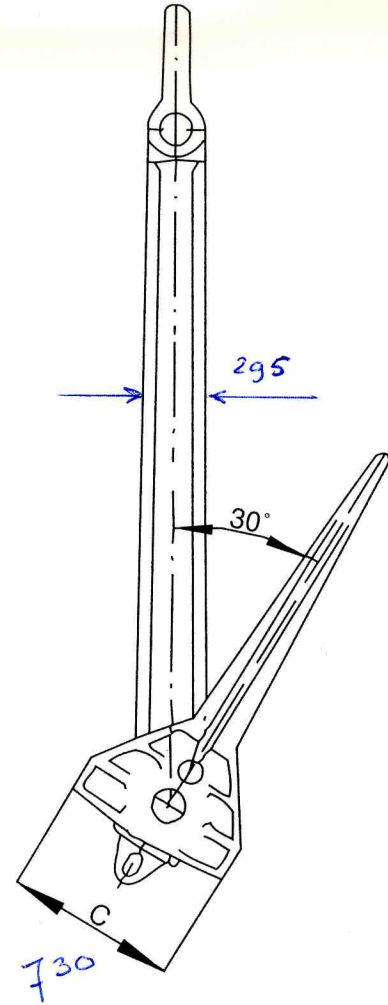
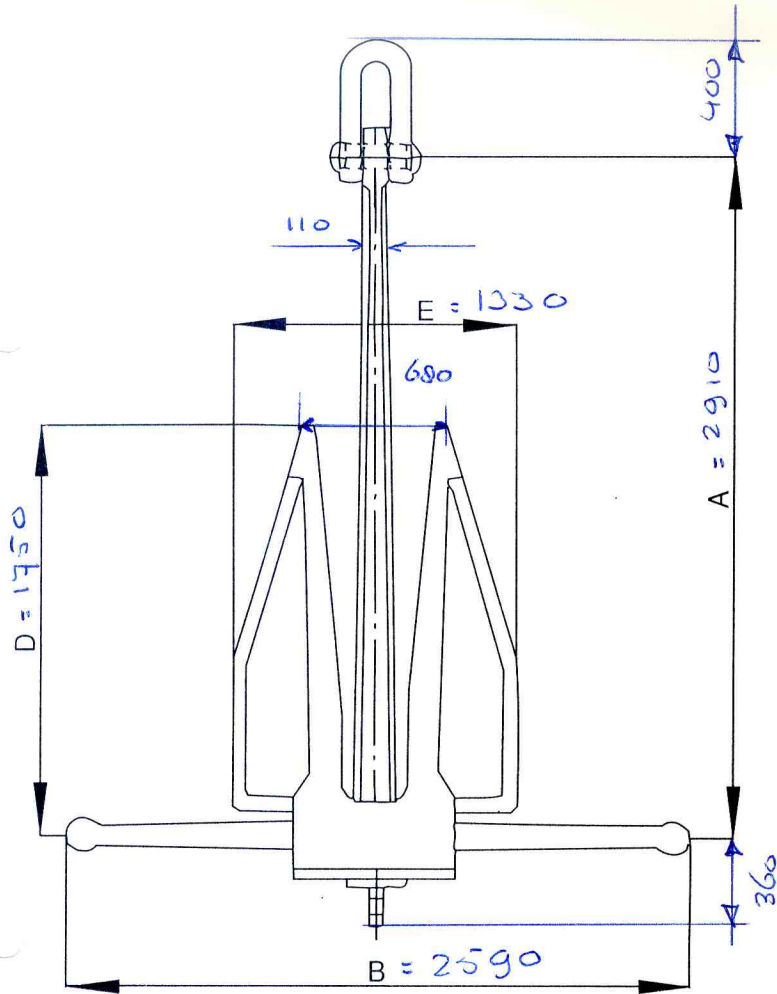


Danforth anchor

2250 - 2270 kg

High holding power



DIMENSIONS IN MM

WEIGHT		DIMENSIONS				
LBS	KGS.	A	B	C	D	E
300	135	1350	1130	275	820	560
500	225	1600	1340	325	975	665
750	340	1720	1480	370	1000	720
1000	455	1830	1580	410	1100	760
1500	680	1955	1690	475	1180	815
2000	910	2100	1820	525	1275	900
2500	1135	2260	2140	560	1350	930
3000	1360	2390	2260	595	1440	990
4000	1820	2640	2550	660	1590	1050
5000	2270	2780	2700	710	1650	1170
6000	2730	2960	2810	750	1780	1200

DIMENSIONS ARE NOT BINDING

WEIGHT		DIMENSIONS				
LBS	KGS.	A	B	C	D	E
7000	3180	3120	2960	790	1880	1260
8000	3635	3260	3090	825	1960	1320
9000	4080	3380	3210	860	2040	1370
10000	4540	3510	3330	890	2100	1420
12000	5445	3730	3540	945	2240	1510
14000	6350	3920	3720	995	2360	1590
16000	7260	4100	4000	1040	2470	1660
18000	8165	4270	4080	1080	2560	1730
20000	9075	4370	4150	1110	2620	1770
25000	11345	4710	4470	1195	2820	1910
30000	13610	5000	4750	1270	3000	2025